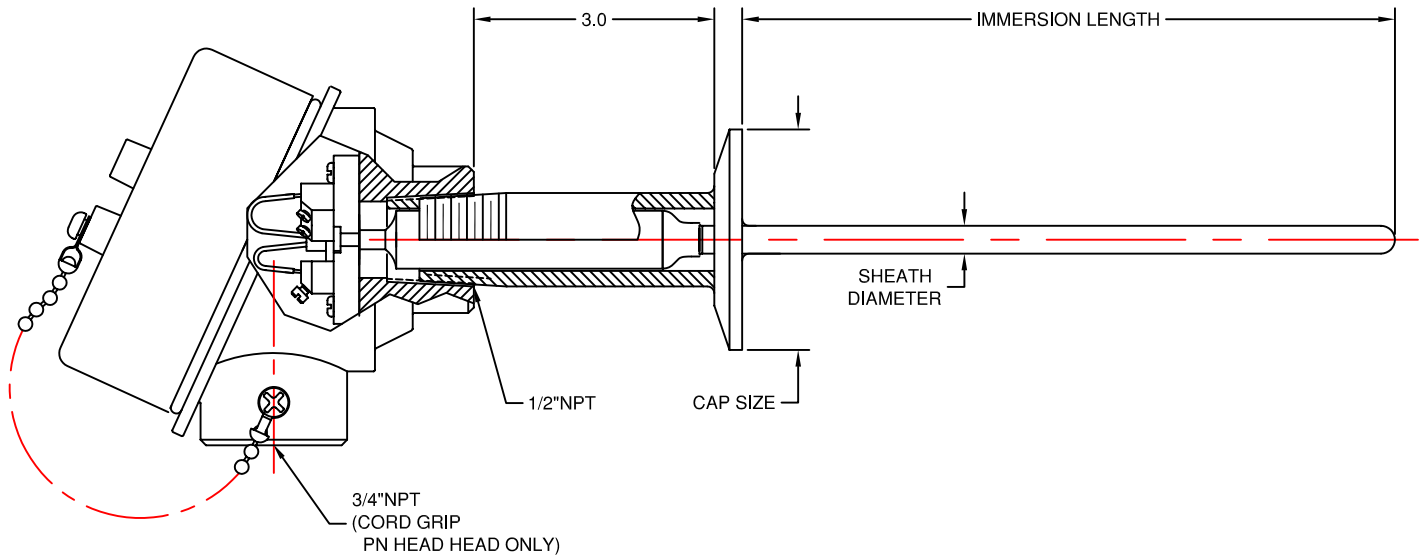


PHARMACEUTICAL & BIOTECH THERMOCOUPLES & RTD'S



SPECIFICATIONS

RTD Type

Structure: Single
 Material: Platinum
 Resistance at 0° C.: 100 OHMS
 Temperature Coefficient of Resistance (TCR): .00385
 Sheath Material: 316 Stainless Steel
 Temperature Range: -58 to +500° F.

Cap Material: 316/316L Stn. Stl.
 Cap Compliance: 3-A Sanitary Standard
 Finish: #4, Ra of 32 µin Max.
 Nipple Extension Material: 316 Stn. Stl.

Transmitter

Output: 4 to 20 mA, Linear to Temperature Range
 Accuracy: 0.25°C + 0.42% of Temperature Reading or Better
 Power Supply: 9-48VDC Polarity Protected
 Maximum Loop Resistance: (Vsupply - 7) x 40 OHM's
 Supply Voltage Effect: $\leq \pm 0.02\%$ FS/°C
 Temperature Effects: $\leq \pm 0.01\%$ FS/°C
 Ambient Operating Temperature: -40°C to 80°C (-40°F to 176°F)
 Maximum Loop Current: 24mA
 Response Time (10% to 90%): 3 Seconds
 Long Term Stability (Transmitter under Power): $\leq 0.1\%$ FS after 5,000 Hrs. at 400°C

CODE	CONNECTION HEAD
PN	WHITE POLYPROPYLENE, FDA APPROVED
AN	ALUMINUM, WATERPROOF, NEMA-4
SN	316 STAINLESS STEEL, WATERPROOF, NEMA-4, -4X

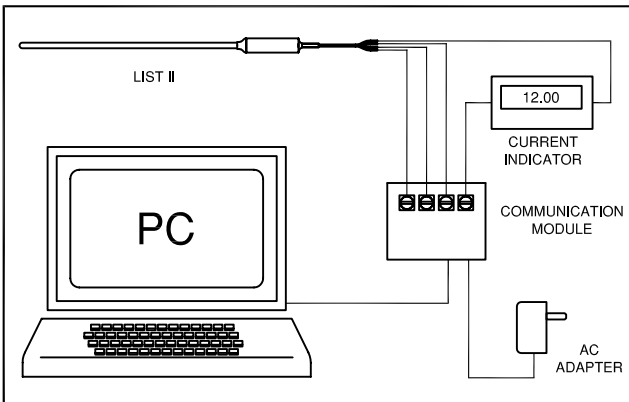
CODE	IMMERSION LENGTH (IN INCHES)

CODE	PROCESS CONNECTION			TRI-CLAMP® S-LINE® JENSEN®
	TYPE	SIZE	STYLE	
TRI-.75	16AMP	1/2 - 3/4"		
TRI-1.5	16AMP	1 - 1 1/2"		
TRI-2	16AMP	2"		
TRI-2.5	16AMP	2 1/2"		
TRI-3	16AMP	3"		

LIST-II-SF - 03 - 14 - TRI-1.5 - 12 - AN

CODE	SHEATH DIAMETER
316	3/16" (.187")
14	1/4" (.25")

CODE	TEMPERATURE RANGE
01	-200°C to 0°C (-328°F to 32°F)
02	-50°C to 0°C (-58°F to 32°F)
03	-50°C to 50°C (-55°F to 122°F)
04	0°C to 50°C (-32°F to 122°F)
05	0°C to 100°C (-32°F to 212°F)
06	0°C to 150°C (-32°F to 302°F)
07	0°C to 200°C (-32°F to 392°F)
00	NO RANGE (FOR FIELD PROGRAMMING)



OPTIONAL LIST-II-CAL FIELD PROGRAMMABLE CONFIGURATION KIT



TEMPERATURE MEASUREMENT DESIGNER'S GUIDE
 WWW.THERMO-ELECTRIC-DIRECT.COM

SECTION CEPC

L.I.S.T II

Linear Integrated Sensor Transmitter with
 CIP Cap and Connection Head
 FIELD PROGRAMMABLE

The information contained hereon shall be considered the sole property of Thermo Electric Company, Inc. The recipient thereof agrees not to disclose or reproduce said information to parties outside the recipient's organization without the written permission of Thermo Electric.

Doc. No.: TE-CO010109-CEPC-110