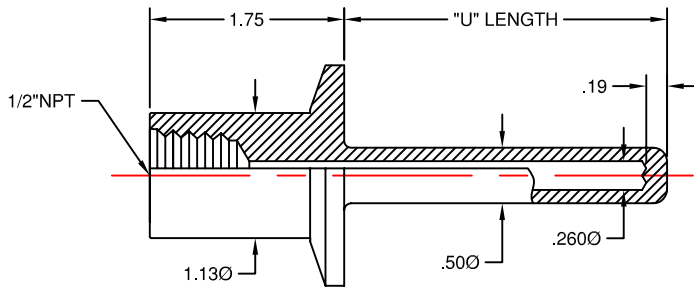


PHARMACEUTICAL & BIOTECH THERMOCOUPLES & RTD'S

SPECIFICATIONS

Material: 316/316L Stainless Steel
 Finish: #4, Ra of 32 µin Max.
 Cap Compliance: 3-A Sanitary Standard

16AI-141, STRAIGHT CONSTRUCTION



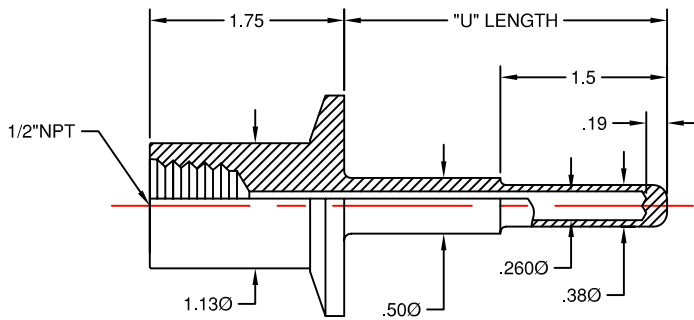
CEPC - ILN - ST - 75 - 3.5

TYPE ILN-ST
 I-LINE®, E-LINE®

CODE	"U" LENGTH IN INCHES
------	-------------------------

CODE	CAP SIZE
15	1 - 1 1/2"
20	2"
25	2 1/2"
30	3"

16AI-141, STEP DOWN CONSTRUCTION



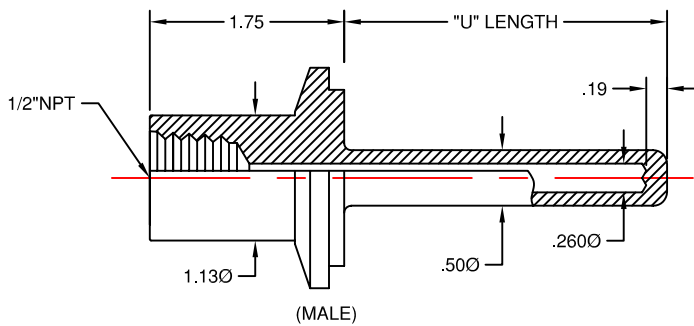
CEPC - ILN - SD - 75 - 3.5

TYPE ILN-SD
 I-LINE®, E-LINE®

CODE	"U" LENGTH IN INCHES
------	-------------------------

CODE	CAP SIZE
15	1 - 1 1/2"
20	2"
25	2 1/2"
30	3"

16AQ-14, STRAIGHT CONSTRUCTION



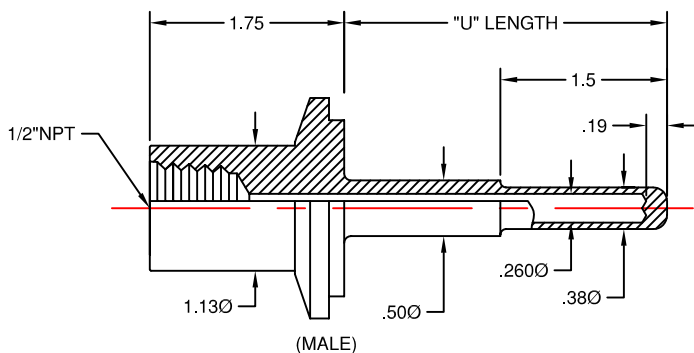
CEPC - QLN - ST - 75 - 3.5

TYPE QLN-ST
 Q-LINE®

CODE	"U" LENGTH IN INCHES
------	-------------------------

CODE	CAP SIZE
15	1 - 1 1/2"
20	2"
25	2 1/2"
30	3"

16AQ-14, STEP DOWN CONSTRUCTION



CEPC - QLN - SD - 75 - 3.5

TYPE QLN-SD
 Q-LINE®

CODE	"U" LENGTH IN INCHES
------	-------------------------

CODE	CAP SIZE
15	1 - 1 1/2"
20	2"
25	2 1/2"
30	3"



SECTION CEPC

CIP THERMOWELLS 16AI-141 & 16AQ-14,
 STRAIGHT AND STEP DOWN CONSTRUCTION

The information contained hereon shall be considered the sole property of Thermo Electric Company, Inc. The recipient thereof agrees not to disclose or reproduce said information to parties outside the recipient's organization without the written permission of Thermo Electric.