

INDUSTRIAL RTD'S

CODE	HEAD EXTENSION
A	2 NIPPLE (NOTE 1)
	4 NIPPLE/UNION/NIPPLE (NOTE 1)

CODE	CONNECTION HEAD		
	MATERIAL	TYPE	NEMA
AN	ALUMINUM	WATER PROOF	4
SN	STAINLESS STEEL	WATER PROOF, CORROSION RESISTANT	4, 4X
AE	ALUMINUM	EXPLOSION PROOF (NOTE 2)	4
SE	STAINLESS STEEL	EXPLOSION PROOF, CORROSION RESISTANT (NOTE 2)	4, 4X
XD	ALUMINUM	EXPLOSION PROOF, FM, CSA APPROVED (NOTES 2 & 3)	4, 4X
A	CAST IRON	WEATHER PROOF, RUGGED	
L	POLYPROPYLENE	WEATHER PROOF, LIGHT WEIGHT	
AX	ALUMINUM, LARGE DEVICE, EPOXY COATED	EXPLOSION PROOF, ATEX APPROVED (NOTE 3)	4

CODE	CONDUIT OPENING	D	CODE	TUBE OPENING	E	CODE	"A" LENGTH
	1/2 or 3/4NPT			1/2NPT			IN INCHES

CODE	STRUCTURE
	SINGLE (LEAVE BLANK)
D	DUPLEX

CODE	SHEATH DIAMETER (STANDARD 316 STN. STL.) (NOTE 4)
316	3/16" (.187)
14	1/4" (.250)

CODE	ELEMENT TYPE (NOTE 4)			
	STANDARD	MATERIAL	TCR	RESISTANCE @ 0° C.
	DIN 43760	PLATINUM	.00385	100 OHMS (LEAVE BLANK)
PT5	DIN 43760	PLATINUM	.00385	500 OHMS
PT1	DIN 43760	PLATINUM	.00385	1000 OHMS (LT RANGE ONLY)
JIS	JIS-C-1604-81	PLATINUM	.003916	100 OHMS
SA	RC21-4-1966	PLATINUM	.003923	98.129 OHMS
CU		COPPER	.00427	10 OHMS (LT RANGE ONLY)
NI		NICKEL	.00672	120 OHMS

CODE	TEMPERATURE RANGE
LT	-58 to +500° F (-50 to +260° C.)
MT	-58 to +900° F (-50 to +482° C.)
	-292 to +932° F (-180 to +500° C) (LEAVE BLANK)
HT	-292 to +1202° F (-180 to +650° C) (NOTE 5)

CODE	SYSTEM
2W	2 WIRE (4 WIRE TOTAL WITH DUPLEX)
	3 WIRE (LEAVE BLANK)
4W	4 WIRE (8 TOTAL WITH DUPLEX)

CODE	ACCURACY
	ASTM E1137 CLASS B (LEAVE BLANK)
CLA	ASTM E1137 CLASS A

CODE	WELL TYPE		
	OD-1	OD-2	ID
42	.875	.875	.385
43	.875	.875	.260

CODE	WELL MATERIAL
P	304 STAINLESS STEEL
Q	310 STAINLESS STEEL
R	316 STAINLESS STEEL
PLorRL	304or316 S. S. (LOW CARBON)
N	CARBON STEEL
J	INCONEL 600
H	HASTELLOY C276

CODE	"F" LENGTH
	IN INCHES (2.25" STD.)

CODE	"U" LENGTH
	IN INCHES

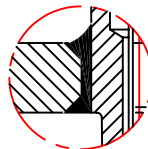
CODE	FLANGE SIZE
	SPECIFY

CODE	FLANGE RATING
	SPECIFY

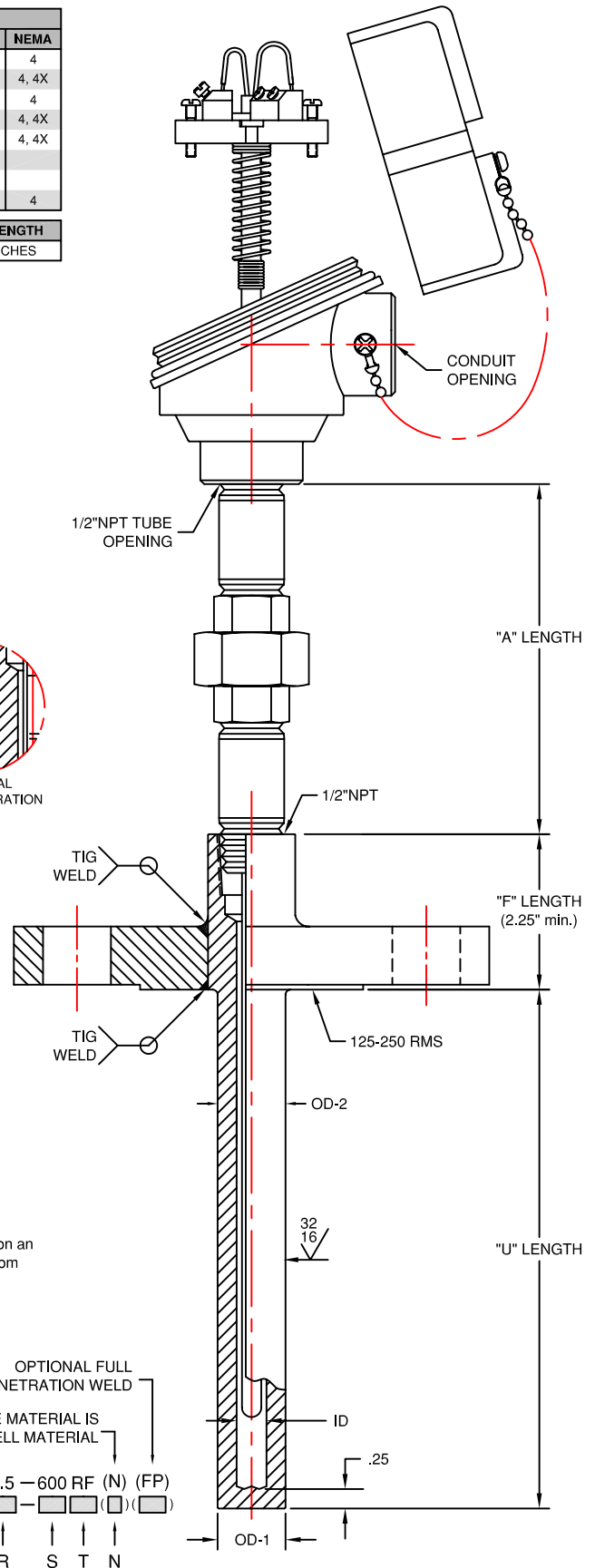
CODE	FLANGE TYPE
FF	FLAT FACE
RF	RAISED FACE
RJ	RING TYPE JOINT

Notes:

- (1) Standard Nipples - Steel, Schedule 40.
Standard Unions - Black Malleable Iron, 150#.
OPTIONAL STAINLESS STEEL
Nipples - 304 or 316 Stainless Steel, Schedule 40 or 80.
Unions - 304 or 316 Stainless Steel.
Example Ordering Code: 4AE 3/4 1/2 G (R or R80).
- (2) Rated NEC class 1, Groups B, C and D.
- (3) ATEX approved EEx d IIC, T6.
- (4) Contact factory for other sheaths and element types.
- (5) Standard in single construction, 3 wire, class B, Inconel sheath material.
- (6) For an item that does not fall within the catalog description an (SP) can be added to the ordering code as part of a custom construction.



OPTIONAL FULL PENETRATION WELD



EXAMPLE: 4 AE 3/4 - 1/2 - 4 - D 14 PT5 LT 4W CLA - 42 R 2.25 - 12 - 1.5 - 600 RF (N) (FP)

A
B
C
D
E
F
G
H
J
K
L
M
N
P
Q
R
S
T
N



TEMPERATURE MEASUREMENT DESIGNER'S GUIDE
WWW.THERMO-ELECTRIC-DIRECT.COM

SECTION INRD

DRILLED FLANGED WELL ASSEMBLIES STRAIGHT CONSTRUCTION

The information contained hereon shall be considered the sole property of Thermo Electric Company, Inc. The recipient thereof agrees not to disclose or reproduce said information to parties outside the recipient's organization without the written permission of Thermo Electric.

Doc. No.: TE-CO010109-INRD-080