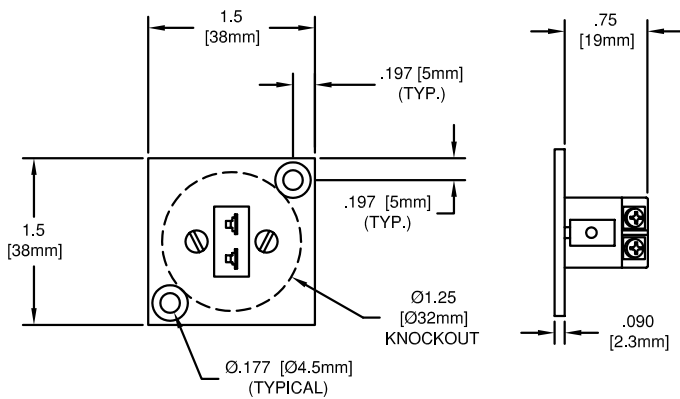


# THERMOCOUPLE & RTD PANELS

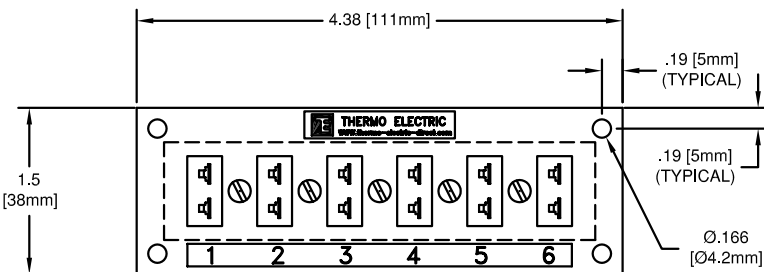


## SINGLE CIRCUIT MINIATURE JACK PANEL

ORDERING CODE	CALIBRATION	INSERT COLOR	PANEL CUTOUT
PA41615-JX	JX	BLACK	1.25" to 1.44" KNOCKOUT
PA41615-KX	KX	YELLOW	
PA41615-TX	TX	BLUE	
PA41615-SX	SX/RX*	GREEN	
PA41615-EX	EX	PURPLE	
PA41615-BX	BX**	WHITE	
PA41615-NX	NX	ORANGE	

Add (-IEC) to end of ordering code for IEC color code.

## SINGLE ROW, 6 CIRCUIT MINIATURE JACK PANEL



## 6, 12 & 18 CIRCUIT MINIATURE JACK PANEL

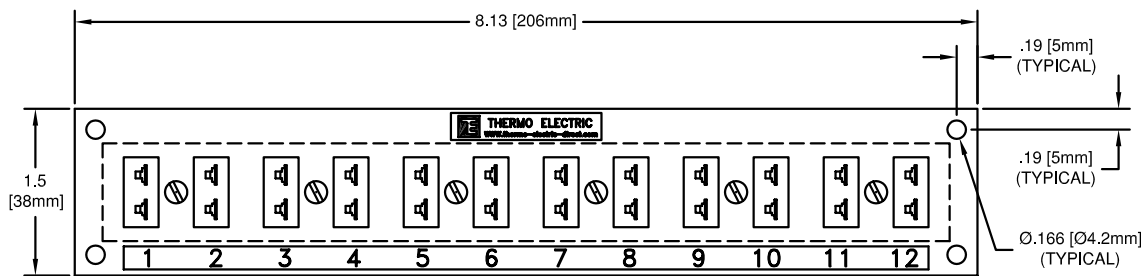
ORDERING CODE	NUMBER OF CIRCUITS	PANEL CUTOUT
PA41605-XX	6	.88[22.3mm] x 3.88[98.6mm]
PA41606-XX	12	.88[22.3mm] x 7.63[194mm]
PA41607-XX	18	.88[22.3mm] x 11.38[289mm]

XX, FILL IN CALIBRATION: JX, KX, TX, SX/RX\*, EX, BX, NX

Add (-IEC) to end of ordering code for IEC color code.

\* Compensating Extension Alloys used for both R and S thermocouples  
\*\* Copper used for B thermocouples or RTD's

## SINGLE ROW, 12 CIRCUIT MINIATURE JACK PANEL



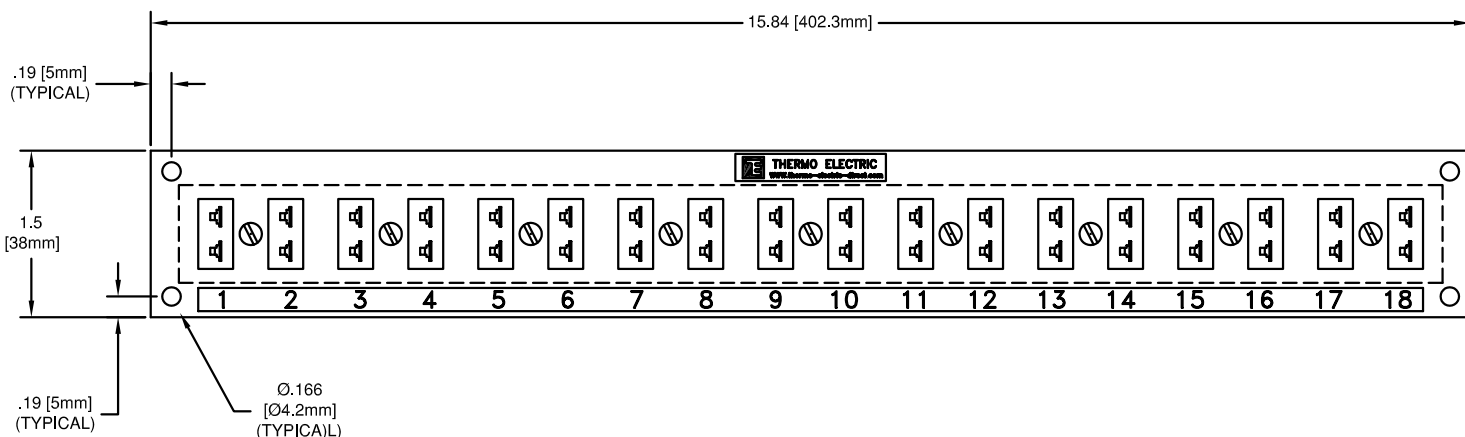
## SPECIFICATIONS

**INSERTS**  
Color Identification: ANSI-MC96  
Polarized, Spring Loaded  
Insert Material: Thermocouple Alloys  
Body Material: High Impact Strength Thermoplastic  
Maximum Temperature Limit: 390°F (200°C)  
Maximum Wire Diameter: .024" (20Ga)

**FACE PANEL**  
Material: Anodized Aluminum

**MATING PLUG**  
Miniature 2-Pin  
See Document No.  
TE-CO010109-CONN-080

## SINGLE ROW, 18 CIRCUIT MINIATURE JACK PANEL



TEMPERATURE MEASUREMENT DESIGNER'S GUIDE  
WWW.THERMO-ELECTRIC-DIRECT.COM

## SECTION PANN

MINIATURE, 2-PIN JACK PANELS  
SINGLE, 6, 12 & 18 CIRCUIT

The information contained hereon shall be considered the sole property of Thermo Electric Company, Inc. The recipient thereof agrees not to disclose or reproduce said information to parties outside the recipient's organization without the written permission of Thermo Electric.

Doc. No.: TE-CO010109-PANN-040